



2 W

DC- 18 GHz

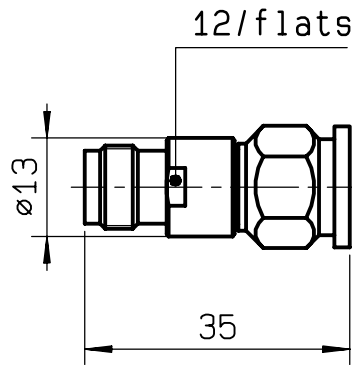
TNC

COAXIAL ATTENUATOR

issue
30.Jul.99

Page
1 / 1

DRAWING



General tolerances: +/- 0.5 mm

R F CHARACTERISTICS

FREQUENCY RANGE : DC - 18 GHz
 IMPEDANCE : 50 Ohms
 ATTENUATION - NOMINAL : 13 dB

FREQUENCY	DC- 4 GHz	4 - 8 GHz	8 -12.4GHz	12.4- 18 GHz
V.S.W.R	<= 1.15	<= 1.20	<= 1.25	<= 1.35
DEVIATION (dB)	+ 0.50 / - 0.50	+ 0.50 / - 0.50	+ 0.50 / - 0.50	+ 0.50 / - 0.50

PEAK POWER at 25°C (1µs,1%.) : 100 W
 AVERAGE POWER at 25°C : 2 W Derate linearly to 0.5W at 125° C

MECHANICAL CHARACTERISTICS

CONNECTORS : TNC male/female per MIL-C 39012
 WEIGHT : < 30 g

ENVIRONMENTAL CHARACTERISTICS

OPERATING TEMPERATURE RANGE (°C) : -55 , +125
 STORAGE TEMPERATURE RANGE (°C) : -55 , +125

This information is given as an indication. In the continual goal to improve our products, we reserve the right to make any modifications judged necessary

CREATION				
N° :				
PEN/EP:CAT				
Name:MG				
Date:30.Jul.99				
APP.:VE				
ISSUE	REVISIONS	NAME	APPR.	

RADIALL®
 101. rue P. Hoffmann -Z.I Ouest-
 93116 ROSNY/BOIS Cedex-FRANCE
 Phone:33(1)49353535
 Fax :33(1)48546363
 Twx RADIA 235220F

4112-9212